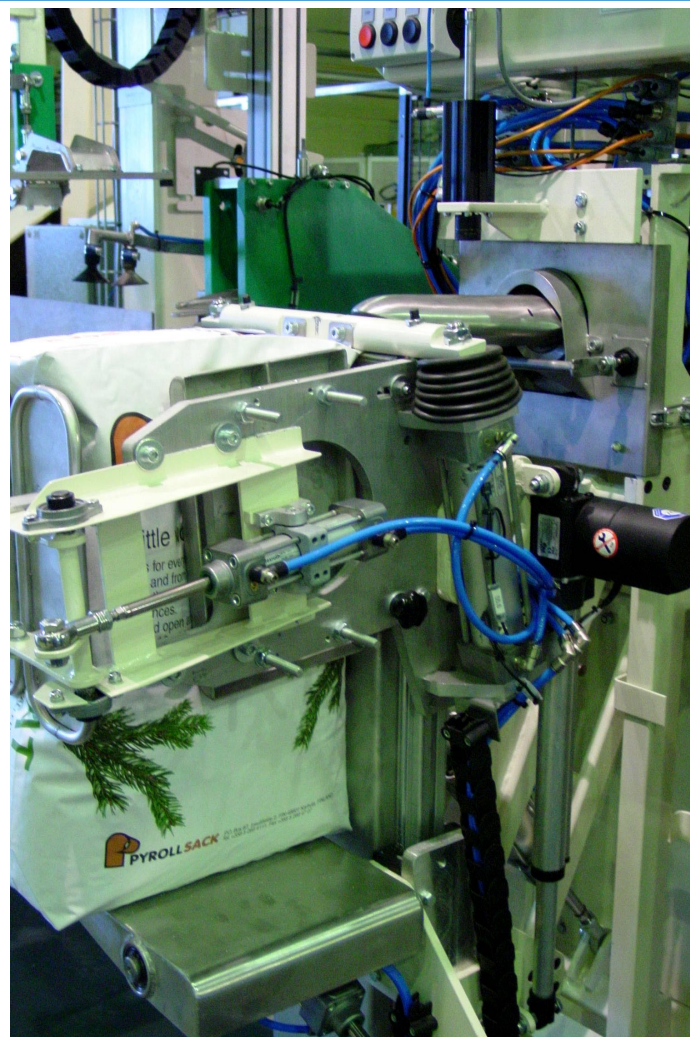


Erkoclose- USP



Valve closing unit integrated in the sack tipping device Ultrasonic sealing immediately after filling spout

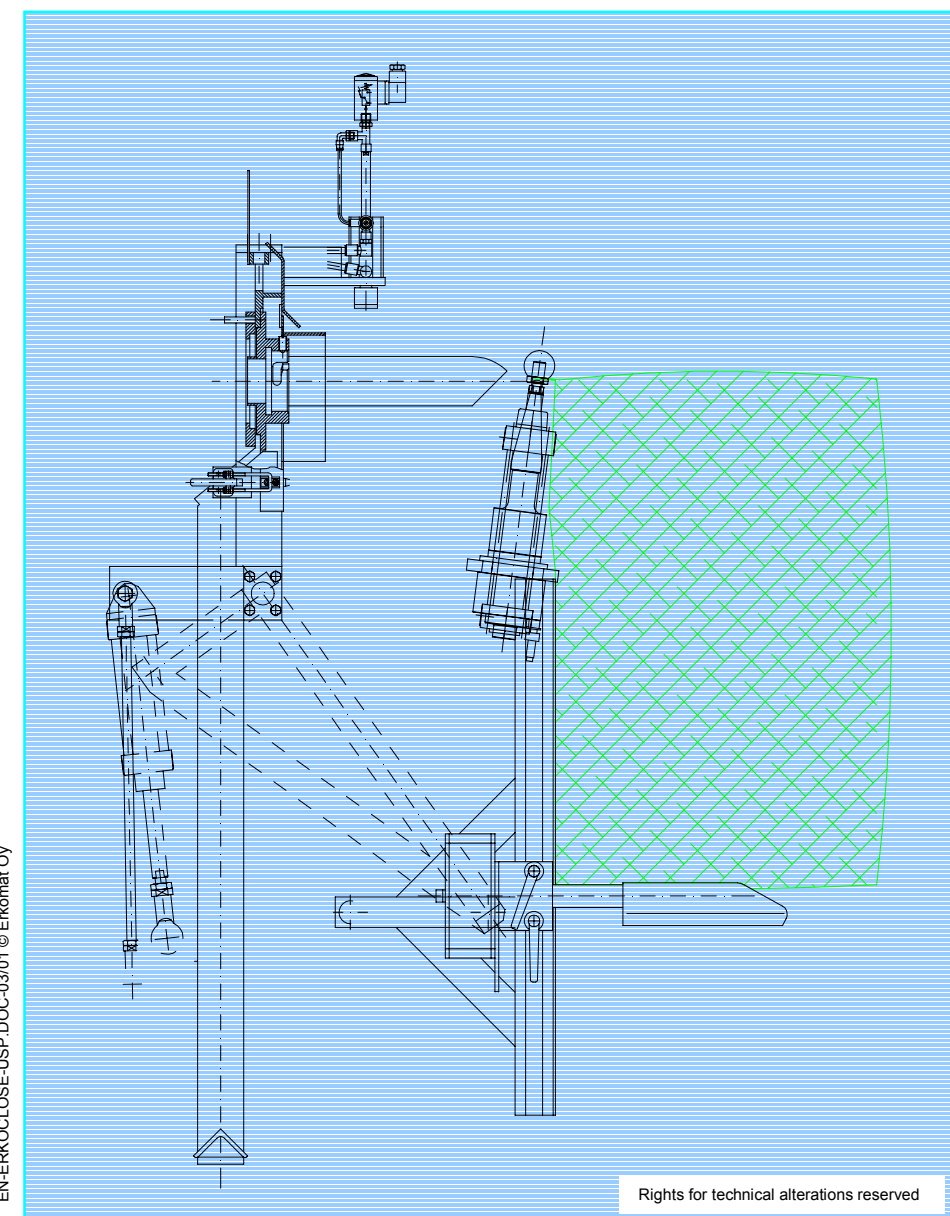
- sealing quickly and reliably with ultrasonic equipment immediately after filling before tipping on the belt conveyor
- compact construction that doesn't increase space requirement for the filling station
- possible to install into existing filling units
- power generator in a separate cabinet
- capacity upto 270 bags/ hour (synchronized to the bagging unit)
- minimal effect to the filling capacity of a bagging unit
- PLC control together with filling unit
- connected in the electric and compressed air of the bagging unit

ERKOCLOSE USP

ULTRASONIC SEALING UNIT FOR VALVE BAG

Technical data:

capacity	max. 270 bags/hour
bag valve width	90-170 mm
compressed air	
- pressure	5 - 7 bar
- consumption	0,05 Nm ³ / minute
electricity	
- voltage (standard)	230/400 VAC 50 Hz
- power demand	1,5 kW
weight	appr. 15 kg
equivalent continuous A-weighted sound pressure level	79 dB(A)



ERKOPACKING Bagging Systems

Single filling units, automatic bagging stations and lines, closing units for valve bags with different closing methods; heat sealing, hot-melt or cold gluing, ultrasonic. Automatic bag placers with high capacity, automatic unrolling devices for rolled up bags, auxiliary equipment to bagging lines, bag palletizing equipment.

ERKOTEC Powder Handling

Single machines and equipment required in handling of granules and powders. Rotary valves, centrifugal and vibrating separators, diverter valves, dust removal filters, vibrating beds, fluidization equipment. Process systems for granules and powders. Storage, pneumatical conveying, dosing, weighing and automation.

ERKOFILLING Packing Service

Erkomat performs packing service (of bags) according to customer demands. The service also includes storage of pallets and delivery within an agreed period, in conformity with transport orders.

EN-ERKOCLOSE-USP.DOC-03/01 © Erkomat Oy

Rights for technical alterations reserved

ERKOMAT

POWDER HANDLING - SACK FILLING AND PALLETISING

ERKOMAT

POWDER HANDLING - SACK FILLING AND PALLETISING

Erkomat Oy
P.O.Box 31
FIN-48101 KOTKA, FINLAND

Street address
Puistotie 24
FIN-48130 KOTKA

Telephone
Telefax

Int. +358 5 230 8500
Int. +358 5 230 8555

E-mail: erkomat@erkomat.fi
Website: www.erkomat.fi